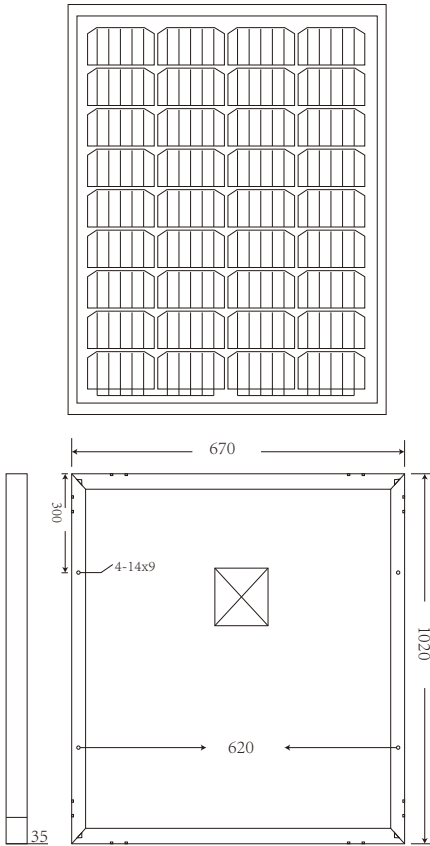


# RSM-100M



GLOBAL PROFESSIONAL PV PRODUCTS INTERGRATED SOLUTIONS SUPPLIER

Dimension of PV Modules Unit: mm



## ELECTRICAL DATA(STC)

Rated Power in Watts-Pmax(Wp)	<b>100W</b>
Open Circuit Voltage-Voc(V)	21.95V
Short Circuit Current-Isc(A)	5.87A
Maximum Power Voltage-Vmp(V)	17.90V
Maximum Power Current-Imp(A)	5.59A
Module Efficiency (%)	15.44%

STC: Irradiance 1000 W/m<sup>2</sup>, Cell Temperature 25°C, Air Mass AM1.5 according to EN 60904-3.

## ELECTRICAL DATA(NOCT)

Maximum Power-Pmax (Wp)	74W
Open Circuit Voltage-Voc (V)	20.29V
Short Circuit Current-Isc (A)	4.74A
Maximum Power Voltage-Vmp(V)	17.08V
Maximum Power Current-Imp(A)	4.35A

NOCT: Irradiance at 800 W/m<sup>2</sup>, Ambient Temperature 20°C, Wind Speed 1 m/s.

## MECHANICAL DATA

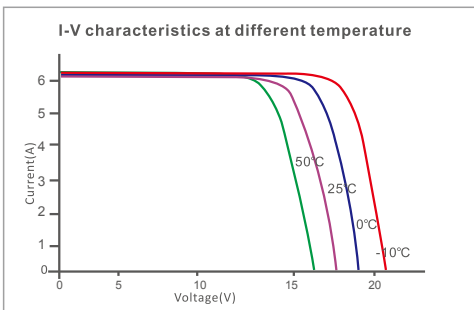
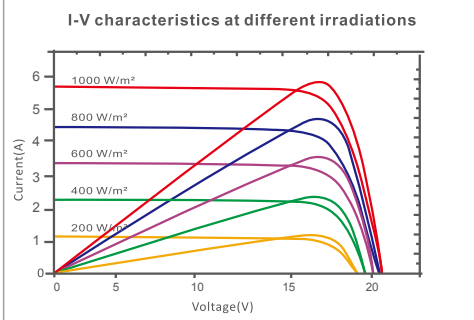
Solar cells	Mono-crystalline 156x91mm 4 or 5 Bus bars
Cell configuration	36Cells(4x9)
Module dimensions	1020x670x35mm
Weight	7KGS
Front Cover	3.2mm Tempered Glass
Frame Material	Anodized Aluminum Alloy
J-BOX	IP65 or IP67, 6 Diodes
Cable	4mm2(IEC)/12AWG(UL),900mm
Connectors	MC4 or MC4 Comparable
Standard Packaging	2pcs/carton box

## TEMPERATURE & MAXIMUM RATINGS

Nominal Operating Cell Temperature (NOCT)	45°C±2°C
Temperature Coefficient of Voc	-0.32%/°C
Temperature Coefficient of Isc	0.05%/°C
Temperature Coefficient of Pmax	-0.39%/°C
Operational Temperature	-40~+85°C
Maximum System Voltage	1000V(IEC)/600V(UL)
Max Series Fuse Rating	10A
Limiting Reverse Current	10A

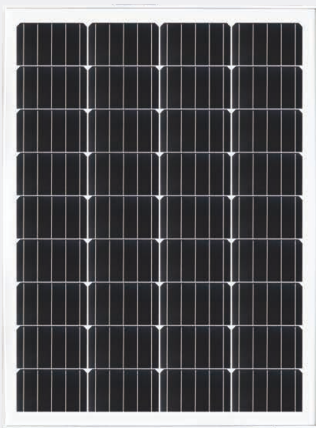
## PACKAGING CONFIGURATION

	40HQ	20GP
Number of modules per container	2424pcs	1092pcs
Package	2pcs/carton box	2pcs/carton box
Package Weight	16kg/carton box	16kg/carton box
Package Number	1212carton boxes	546carton boxes
Package Dimension	1050*700*80mm/carton box	1050*700*80mm/carton box





WWW.RESUNSOLAR.COM



**36 Cells**

Mono-crystalline

**100W**

Power output

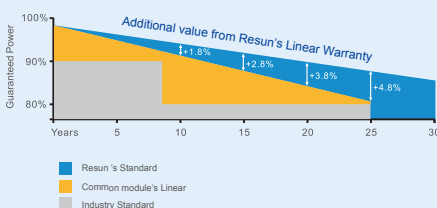
**15.44%**

The Highest Efficiency

**0~+5W**

Tolerance

**0.5% Annual Degradation  
over 30 years**



## RSM-100M

RSM-100M is a robust solar module with 36 solar cells. These modules can be used for on-grid solar applications. Our meticulous design and production techniques ensure a high-yield, long-term performance for every module produced. Our rigorous quality control and in-house testing facilities guarantee Resun Solar's modules meet the highest quality standards possible.



High module conversion efficiency (up to 15.44%), through superior manufacturing technology



Guaranteed 0~+5W positive power output tolerance ensures high reliability



Anti-reflective, hydrophobic coating improves light absorption and reduces surface dust



Excellent performance under low light environments (mornings, evenings and cloudy days)



Suitable for harsh environments, such as coasts, deserts and lakes. Withstand high level of wind loads (2400pa) and snow loads (5400pa)

**Full range of products and certification systems**

ISO 9001 TUV PID-FREE CE IEC61215/61730/61701/62716



**LINEAR PERFORMANCE WARRANTY**  
12 year Product Warranty / 30 year Linear Power Warranty