



RTM050M

33 Cells

Mono, 210*42mm

50W

Power output

13.82%

The Highest Efficiency

0 ~ +5W

Tolerance

WWW.RESTARSOLAR.COM

RTM050M

RTM050M series is produced with high efficiency multi-busbar cells, which can reduce the module internal power loss to improve its conversion efficiency, as well as lower the failure risk caused by cracks and broken busbar to enhance the module reliability. Combined with half-cell technology, the module is highly resistant to hot-spot crisis caused by shadow effect.



High Reliability

Multi-busbar technology can effectively reduce the reliability risk caused by cells cracks and broken busbar.



Anti-PID Resistance

Prominent anti-PID performance reduces the power degradation, leading to higher energy yield and lower LCOE.



Durability Against Extreme Conditions

Certified to resist high salt mist and ammonia conditions.



High Efficiency

Multi-busbar technology can reduce the module internal power loss to improve the module conversion efficiency significantly.



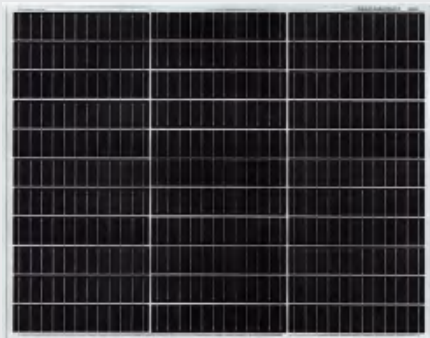
Low-Light Performance

With high transmittance and anti-reflective 3.2mm tempered glass, the module has stronger performance under low light circumstances.

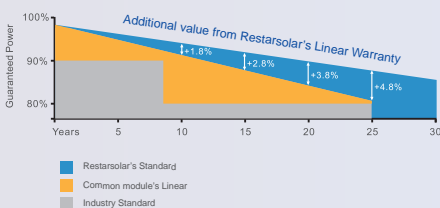


High Mechanical Strength

Certified to withstand: high wind load(2400Pa) and snow load(5400Pa).



0.5% Annual Degradation over 30 years



LINEAR PERFORMANCE WARRANTY

12 Year Product Warranty

25 Year Linear Power Warranty

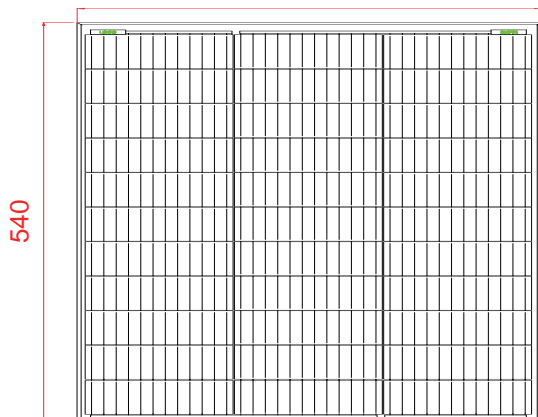
Full range of products and certification systems

ISO 9001/14001 TUV PID-FREE CE IEC 61215/61730/61701/62716



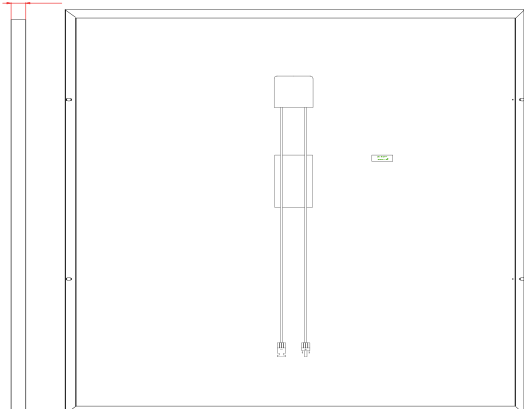
Dimension of PV Modules Unit: mm

670



540

25



ELECTRICAL DATA(STC)

Rated Power in Watts-Pmax(Wp)	50
Open Circuit Voltage-Voc(V)	22.60
Short Circuit Current-Isc(A)	2.86
Maximum Power Voltage-Vmp(V)	18.67
Maximum Power Current-Imp(A)	2.68
Module Efficiency	13.82%

STC: Irradiance 1000 W/m², Cell Temperature 25°C, Air Mass AM1.5 according to EN 60904-3.

ELECTRICAL DATA(NOCT)

Maximum Power-Pmax(Wp)	37.33
Open Circuit Voltage-Voc (V)	21.18
Short Circuit Current-Isc(A)	2.31
Maximum Power Voltage-Vmp(V)	17.39
Maximum Power Current-Imp(A)	2.58

NOCT: Irradiance at 800 W/m², Ambient Temperature 20°C, Wind Speed 1m/s.

MECHANICAL DATA

Solar Cells	Mono-crystalline 210*42mm
Cell Configuration	33 cells(3*11)
Module Dimensions	540*670*25mm
Weight	4.0kg
Front Cover	3.2mm Tempered Glass
J-Box	IP65 or IP67
Cable	4mm ² (IEC)/12AWG(UL), 800mm, or customized
Connectors	MC4 or MC4 Comparable

TEMPERATURE & MAXIMUM RATINGS

Nominal Operating Cell Temperature(NOCT)	45°C±2°C
Temperature Coefficient of Voc	-0.32%/°C
Temperature Coefficient of Isc	0.05%/°C
Temperature Coefficient of Pmax	-0.39%/°C
Operational Temperature	-40~+85°C
Maximum System Voltage	1000V(IEC)/1000V(UL)
Max Series Fuse Rating	15A
Limiting Reverse Current	15A

PACKAGING CONFIGURATION

Number of modules per container	
Package	
Package Number	