

RTPVCC

MC4 connector

WWW.RESTARSOLAR.COM



WSPVCC TYPE 1



WSPVCC TYPE 2



WSPVCC TYPE 3



Note: Solid pins are also available.

Application

- Simple on-site processing!
- Accommodates PV cable with different insulation diameters.
- Mating safety provided by keyed housings.
- Multiple plugging and unplugging cycles .
- High current carrying capacity.

Technical Parameters

Order NO.	Part P/N		Cable special	
	Connector	Terminal	Conductor size (mm ²)	Cable OD (Dmm)
RTPVCC-1	RTPVCC-M	RTPVCC-T1	AWG 14(2.5 mm ²)	Φ4.5-Φ8.5
RTPVCC-2		RTPVCC-T2	AWG 12(4.0 mm ²)	
RTPVCC-3		RTPVCC-T3	AWG 10(6.0 mm ²)	
RTPVCC-4	RTPVCC-F	RTPVCC-T4	AWG 14(2.5 mm ²)	Φ4.5-Φ8.5
RTPVCC-5		RTPVCC-T5	AWG 12(4.0 mm ²)	
RTPVCC-6		RTPVCC-T6	AWG 10(6.0 mm ²)	

Technical Parameter	
Rated current	30A(45A if with solid pins)
Rated voltage	1500v DC
Test voltage	6000V(50Hz, 1min)
Overvoltage type/pollution degree	CAT II/2
Contact resistance of plug connector	1 mΩ
Contact material	Copper, Tin-plated
Insulation material	PPO/PC
Degree of protection	IP2X/IP67
Flame class	UL94-VO
Safety class	II
Suitable cable	OD 4.5-8.5(2.5-6.0 mm ²)
Insertion force/withdrawal force	≤50N/≥50N
Connecting system	Crimp connection
Temperature range	-40°C~+125°C

RTPVCC-1500

MC4 connector

WWW.RESTARSOLAR.COM



Note: Solid pins are also available.



Structural Characteristics

- Simple on-site processing!
- Accommodates PV cable with different insulation diameters.
- Mating safety provided by keyed housings.
- Multiple plugging and unplugging cycles .
- High current carrying capacity.

Specifications

Order NO.	Part P/N		Cable special	
	Connector	Terminal	Conductor size (mm ²)	Cable OD (Dmm)
RTPVCC-1	RTPVCC-M	RTPVCC-T1	AWG 14(2.5 mm ²)	Φ4.5-Φ8.5
RTPVCC-2		RTPVCC-T2	AWG 12(4.0 mm ²)	
RTPVCC-3		RTPVCC-T3	AWG 10(6.0 mm ²)	
RTPVCC-4	RTPVCC-F	RTPVCC-T4	AWG 14(2.5 mm ²)	Φ4.5-Φ8.5
RTPVCC-5		RTPVCC-T5	AWG 12(4.0 mm ²)	
RTPVCC-6		RTPVCC-T6	AWG 10(6.0 mm ²)	

Technical Parameter

Rated current	30A(45A if with solid pins)
Rated voltage	1500v DC
Test voltage	6000V(50Hz, 1min)
Overvoltage type/pollution degree	CAT II/2
Contact resistance of plug connector	1 mΩ
Contact material	Copper, Tin-plated
Insulation material	PPO/PC
Degree of protection	IP2X/IP67
Flame class	UL94-VO
Safety class	II
Suitable cable	OD 4.5-8.5(2.5-6.0 mm ²)
Insertion force/withdrawal force	≤50N/≥50N
Connecting system	Crimp connection
Temperature range	-40°C~+125°C

RTPVPC

PANEL MOUNTED
MC4 SOLAR CONNECTOR

WWW.RESTARSOLAR.COM



Note: Solid pins are also available.

Application

- Simple on-site processing!
- Accommodates PV cable with different insulation diameters.
- Mating safety provided by keyed housings.
- Multiple plugging and unplugging cycles .
- High current carrying capacity.
- TUV and UL approved.

Technical Parameters

Order NO.	Part P/N		Cable special	
	Connector	Terminal	Conductor size (mm ²)	Cable OD (Dmm)
RTPVPC-1	RTPVPC-M	RTPVPC-T1	AWG 14(2.5 mm ²)	Φ4.5-Φ8.5
RTPVPC-2		RTPVPC-T2	AWG 12(4.0 mm ²)	
RTPVPC-3		RTPVPC-T3	AWG 10(6.0 mm ²)	
RTPVPC-4	RTPVPC-F	RTPVPC-T4	AWG 14(2.5 mm ²)	Φ4.5-Φ8.5
RTPVPC-5		RTPVPC-T5	AWG 12(4.0 mm ²)	
RTPVPC-6		RTPVPC-T6	AWG 10(6.0 mm ²)	

Technical Parameter

Rated current	30A(45A if with solid pins)
Rated voltage	1000v DC
Test voltage	6000V(50Hz, 1min)
Overvoltage type/pollution degree	CAT III/2
Contact resistance of plug connector	1 mΩ
Contact material	Copper, Tin-plated
Insulation material	PPO/PC
Degree of protection	IP2X/IP67
Flame class	UL94-VO
Safety class	II
Suitable cable	OD 4.5-8.5(2.5-6.0 mm ²)
Insertion force/withdrawal force	≤50N/≥50N
Connecting system	Crimp connection
Temperature range	-40°C~+125°C

RTPVT2

2 TO 1 MC4 SOLAR CONNECTOR

WWW.RESTARSOLAR.COM

Quality Maker®
restarsolar
Restarsolar, power the life



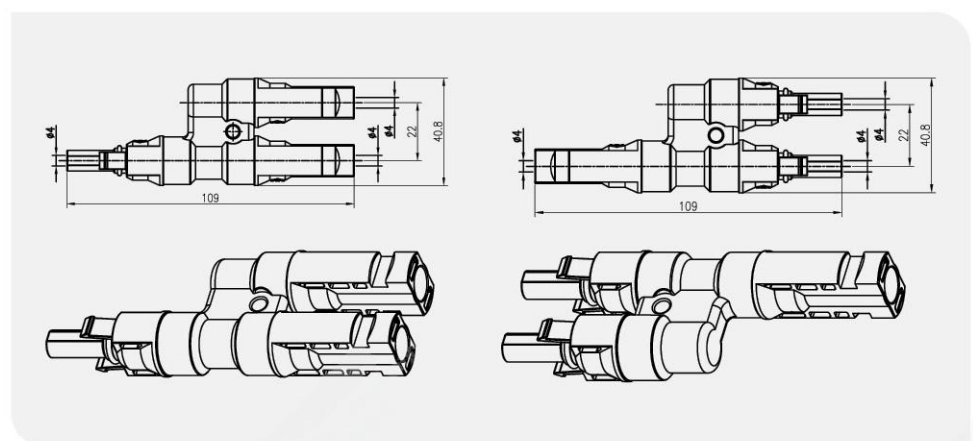
Application

- Simple on-site processing.
- Accommodates PV cable with different insulation diameters.
- Mating safety provided by keyed housings.
- Multiple plugging and unplugging cycles.
- High current carrying capacity.

Technical Parameter

Rated current	30A
Rated voltage	1000V DC
Test voltage	6000v(50Hz, 1 min)
Overvoltage type/pollution degree	CAT III /2
Contact resistance of plug connector	1 mΩ
Contact material	Copper, Tin-plated
Insulation material	PA/PPO
Degree of protection	IP2*/IP67
Flame class	UL94-VO
Safety class	II
Insertion Force	≤50N
Withdrawal Force	≥50N
Temperature Range	-40°C~+110°C

Dimensions



RTPVT3

3 TO 1 MC4 SOLAR CONNECTOR

WWW.RESTARSOLAR.COM

Quality Maker®
restarsolar
Restarsolar, power the life



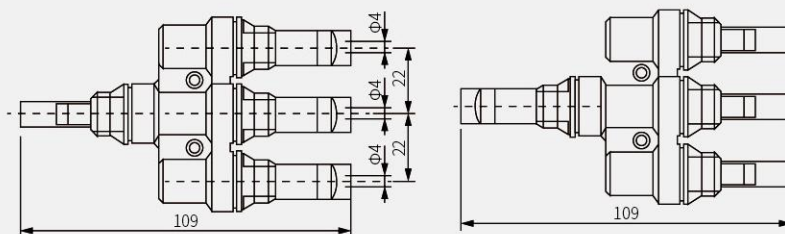
Application

- Simple on-site processing.
- Accommodates PV cable with different insulation diameters.
- Mating safety provided by keyed housings.
- Multiple plugging and unplugging cycles.
- High current carrying capacity.

Technical Parameter

Rated current	40A
Rated voltage	1000V DC
Test voltage	6000v(50Hz, 1 min)
Overvoltage type/pollution degree	CAT II / 2
Contact resistance of plug connector	1 mΩ
Contact material	Copper, Tin-plated
Insulation material	PPO/PC
Degree of protection	IP2*/IP65
Flame class	UL94-VO
Safety class	II
Insertion force	≤50N
withdrawal force	≥50N
Temperature range	-40°C~+110°C
Suitable cable	2.5-6.0mm ²

Dimensions



RTPVT4

4 TO 1 MC4 SOLAR CONNECTOR

WWW.RESTARSOLAR.COM



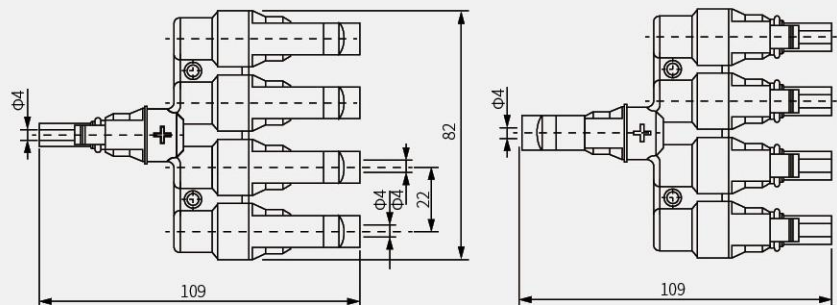
Application

- Simple on-site processing.
- Accommodates PV cable with different insulation diameters.
- Mating safety provided by keyed housings.
- Multiple plugging and unplugging cycles.
- High current carrying capacity.

Technical Parameter

Rated current	40A
Rated voltage	1000V DC
Test voltage	6000v(50Hz, 1 min)
Overvoltage type/pollution degree	CAT II /2
Contact resistance of plug connector	1 mΩ
Contact material	Copper, Tin-plated
Insulation material	PPO/PC
Degree of protection	IP2*/IP65
Flame class	UL94-VO
Safety class	II
Insertion force	≤50N
withdrawal force	≥50N
Temperature range	-40°C~+110°C
Suitable cable	2.5-6.0mm ²

Dimensions



RTPVY2

2 TO 1 MC4 SOLAR CONNECTOR

WWW.RESTARSOLAR.COM

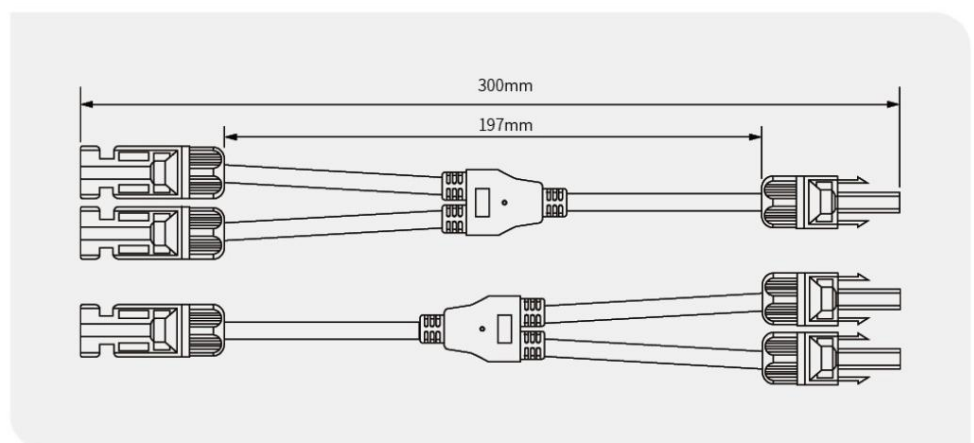
Structural Characteristics

- Simple on-site processing.
- Acomodates PV cable with different insulation diameters.
- Mating safety provided bykeyed housings.
- Multiple plugging and unplugging cycles.
- High current carrying capacity.

Technical Parameter

Rated current	30A
Rated voltage	1000V DC
Test voltage	6000v(50Hz, 1 min)
Overvoltage type/pollution degree	CAT II /2
Contact resistance of plug connector	1 mΩ
Contact material	copper, Tin-plated
Insulation material	PPO/PC
Degree of protection	IP2*/IP65
Flame class	UL94-VO
Safety class	II
Insertion force	≤50N
withdrawal force	≥50N
Temperature range	-40°C~+110°C
Suitablecable	8cm

Dimensions



RTPVY3

3 TO 1 MC4 SOLAR CONNECTOR

WWW.RESTARSOLAR.COM



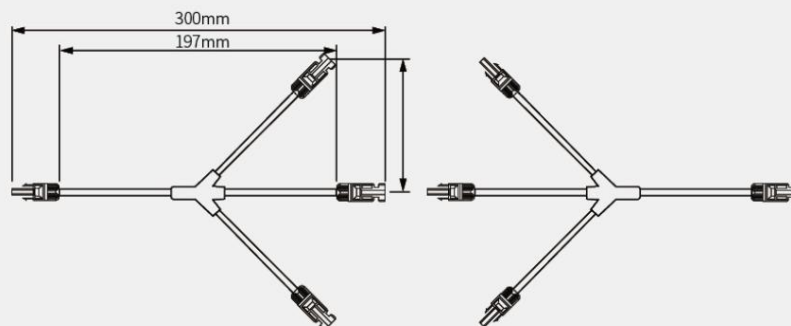
Structural Characteristics

- Simple on-site processing.
- Accommodates PV cable with different insulation diameters.
- Mating safety provided by keyed housings.
- Multiple plugging and unplugging cycles.
- High current carrying capacity.

Technical Parameter

Rated current	40A
Rated voltage	1000V DC
Test voltage	6000v(50Hz, 1 min)
Overvoltage type/pollution degree	CAT II /2
Contact resistance of plug connector	1 mΩ
Contact material	copper, Tin-plated
Insulation material	PPO/PC
Degree of protection	IP2*/IP65
Flame class	UL94-VO
Safety class	II
Insertion force	≤50N
withdrawal force	≥50N
Temperature range	-40°C~+110°C
Suitable cable	8cm

Dimensions



RTPVY4

4 TO 1 MC4 SOLAR CONNECTOR

WWW.RESTARSOLAR.COM



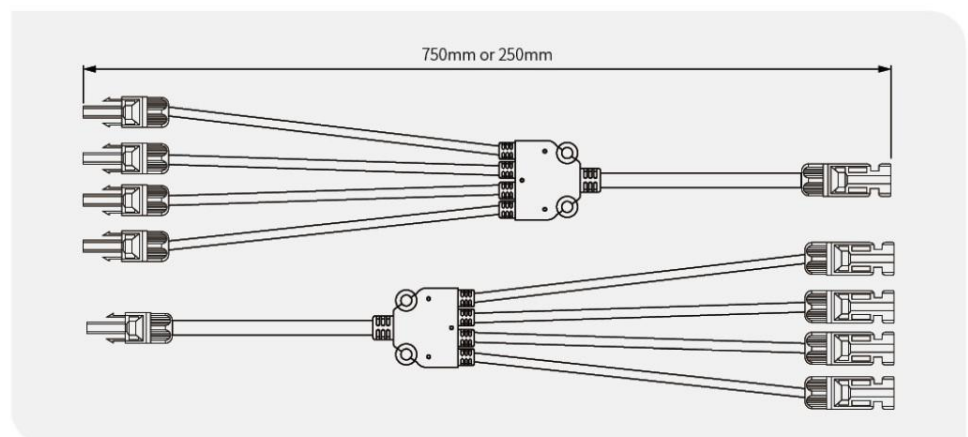
Structural Characteristics

- Simple on-site processing.
- Accommodates PV cable with different insulation diameters.
- Mating safety provided by keyed housings.
- Multiple plugging and unplugging cycles.
- High current carrying capacity.

Technical Parameter

Rated current	40A
Rated voltage	1000V DC
Test voltage	6000v(50Hz; 1 min)
Over voltage Category/Pollution degree	CAT II / 2
Contact resistance of plug connector	1mΩ
Contact materia	copper, Tin-plated
Insulation material	PPO/PC
Degree of protection	IP2*/IP65
Flame class	UL94-VO
Safety class	II
Insertion force	≤50N
withdrawal force	≥50N
Temperature range	-40°C~+110°C
Suitablecable	8cm

Dimensions



RTPVDC

DIODE SOLAR CONNECTOR

WWW.RESTARSOLAR.COM

Structural Characteristics

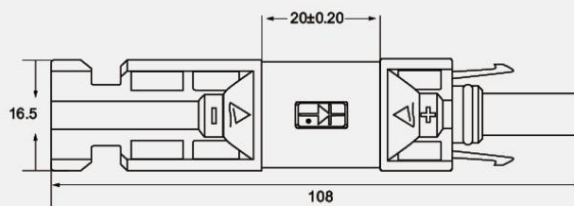
- The fuse/diode series connectors.
- Low power loss.
- Auto-lock equipment of male and female points enable connection more easy and reliable.
- With the capacity of anti-aging and resistance to ultraviolet radiation on the outer cover.
- Popular figure suit most of field installation.
- Simple on-site processing.
- With convenient installation, strong commonality.



Technical Parameter

Insulation material	PPO/PC
Contact material	copper, Tin-plated
Adapting Current	10A, 15A, 20A, 30A
Rated Voltage	1000V(TUV), 600V(UL)
Test Voltage	8000V(TUV50Hz, 1 min)
Contact Resistance	<0.5m ²
Degree Of Protection	IP67
Ambient Temperature Range	-40°C~+85°C
Flame Class	UL94-VO
Safety Class II	II
Pin Dimensions	Φ4mm

Dimensions



Application

A range of 10x38mm fuse links specifically designed for protecting photovoltaic strings. These fuse links are capable of interrupting low overcurrents associated with faulted photovoltaic string arrays (reversecurrent, multi-array fault).



Structural Characteristics

- Solar PV Fuse Holder, DC 1000V up to 32A fuse.
- IP67, 10x38mm Fuse Copper.

Technical Parameter	
Rated current	10A, 12A, 15A, 16A, 20A, 25A 30A, 32A
Rated voltage	1000V DC
Test voltage	6000v(50Hz; 1 min)
Over voltage Category/Pollution degree	CAT III / 2
Contact resistance of plug connector	1mΩ
Contact materia	copper, Ag plated
Insulation material	PPO/PC
Degree of protection	IP2*/IP67
Flame class	UL94-VO
Safety class	II
Insertion force	≤50N
withdrawal force	≥50N
Connecting System	Crimp connection
Temperature Range	-40°C~+125°C

Dimensions

